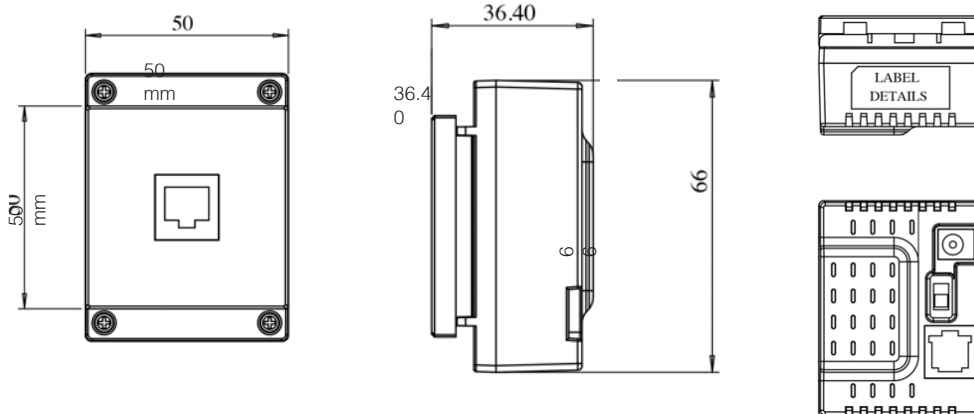


**POE Module
For MediaHub UHD or Mini-Clip USB
Part No. POE-512VBK01**

SPECIFICATION

Simplify MediaHub UHD or Mini-Clip USB installation using the Power Over Ethernet (POE) module. Now the MediaHub UHD and Mini-Clip USB can install flush into drywall, and get power from a compliant Ethernet connection. Power over Ethernet Plus (PoE Plus or IEEE 802.3at) is preferred in order to supply sufficient power for “fast-charging” mobile devices.



LAN In (rear)
Physical: RJ45, CAT6
PoE: 802.3af, 802.3at.

LAN Out (front)
Physical: RJ45, CAT6

Power Socket (rear)
Physical: DC Barrel Connector
Voltage Out: 5VDC or 12VDC, set by switch on rear.
Current Out*: 802.3af - 5V@2.5A or 12V@1A
802.3at - 5V@3.5A or 12V@2A

* Current Out - Specified currents are the maximum that can be available depending upon the specification and loading of the PoE switch

Compatible with both 50mm and 100mm carriers and trims. When used with MediaHub UHD or Mini-Clip USB module it is suggested to partner the POE module on one side within a 100mm carrier and trim. 100mm trim kit required : CKIT-MC-100BK, Black / CKIT-MC-100SLV Brushed Aluminum

POE module, Mini-Clip USB and MediaHub UHD are designed to the Euroclip standard 50 x 50mm, please contact us to confirm compatibility with third party Euroclip trims.

What Is Included In The Box

- 1 x POE Clip In Module, Black
- 1 x POE Faceplate, Black
- 1 x DC cable to link to MediaHub UHD / USB Mini-Clip